

Ø 5 / 8" ... 1" (16 ... 26 mm)

AHE 7.5 Hollow-Shaft
Incremental Encoder

AHE 7.5

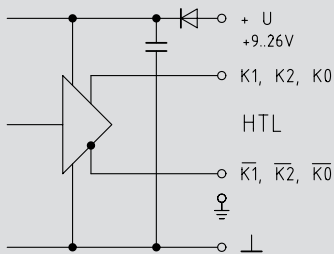
Compact hollow-shaft incremental encoder in rugged all-metal die-cast housing with hollow-shaft for monitoring speed or position in drive systems, especially for AC motors.

- **HÜBNER / SIEI America Incremental Encoders** (Digital-Tachos) have over the years become standard in many areas of industry due to their rugged construction adapted to the application (**Heavy Duty® Technology**):
- Sensing by **opto-ASIC**, compensated for **temperature** and **aging**
- **Electromagnetic Compatibility (EMC)** according to IEC 801-4
- High **vibration** and **shock resistance** meeting IEC 68-2-6 and IEC 68-2-27
- **Warranty 2 years** within the conditions of the German Electrical Manufacturer's Association (ZVEI), **ISO 9001** certified

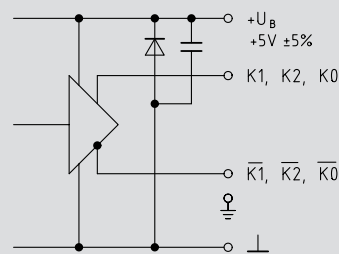
Special features:

- Compact **aluminium housing**
- Bore **hollow-shaft** $\varnothing 5 / 8'' \dots 1''$ ($\varnothing 16 \dots 26$ mm), $\varnothing 5 / 8''$ and $1''$ on stock
- Clamping ring left side (right side option)
- Internal **terminal strip**
- **Logic level HTL** with line driver IC (version C) or + 9 ... + 26 V (version R with internal regulator) or **logic level TTL** with supply voltage + 5 V
- Protection **IP 56**
- **Patent** pending

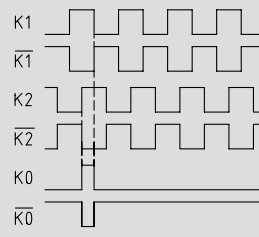
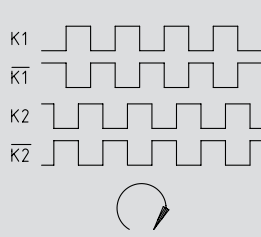
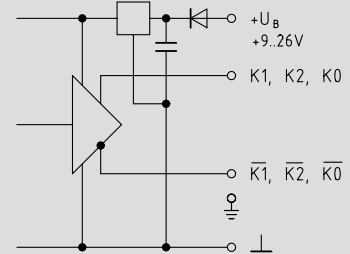
HTL (Version C)



TTL



TTL (Version R)



AHE 7.5 DN ... CI

two HTL signals displaced by 90° plus marker pulse and inverted signals

AHE 7.5 DN ... TTL

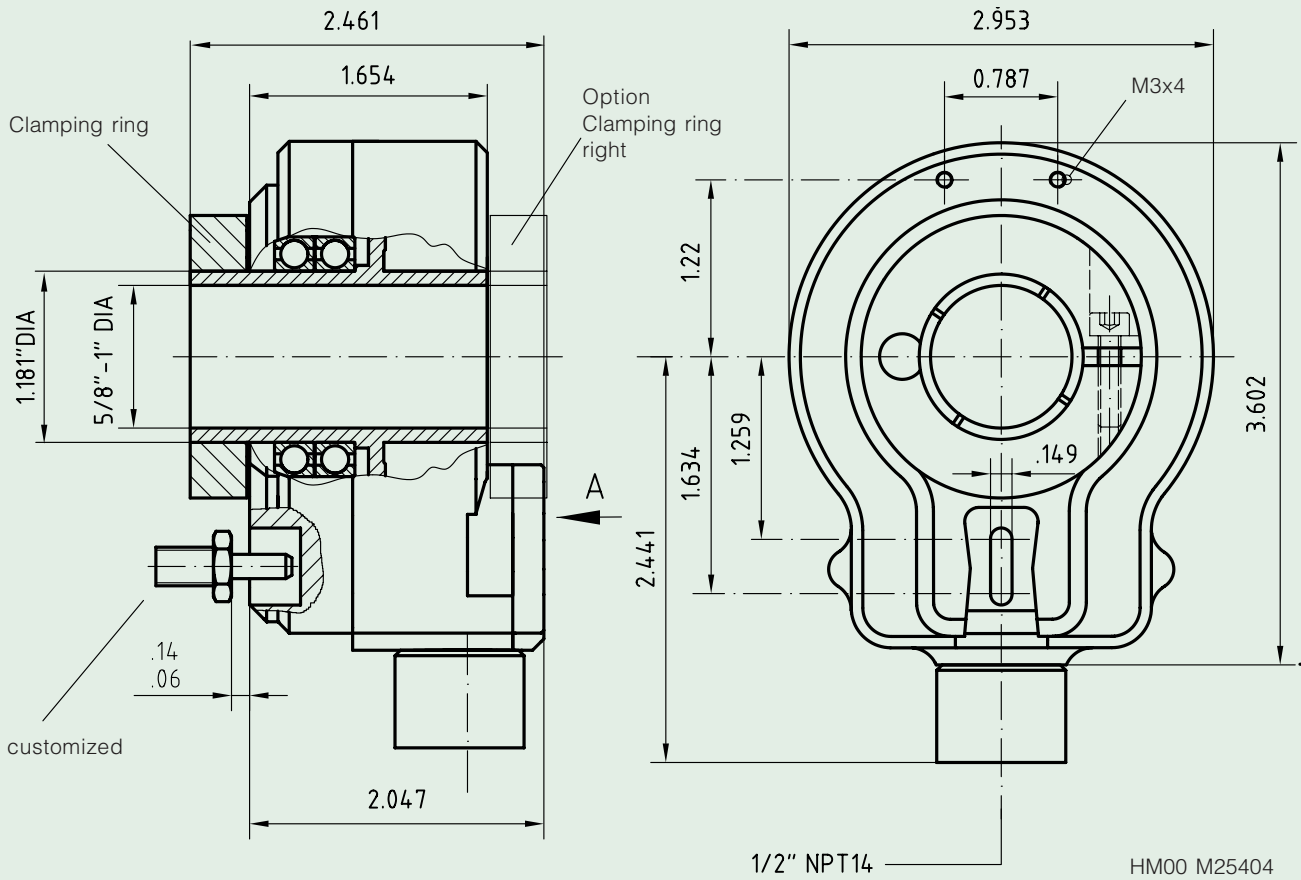
as DN ... CI, but TTL signals

AHE 7.5 DN ... R

as DN ... TTL, but supply voltage $U_b = + 9 \dots + 26$ V

Pulses per revolution

AHE 7.5



RAL 7021 (anthracite)

Mounting Tethers Kits (Torque arms)

Part #	Description
AHE7.5 - T25	25 mm Wide Tether for 5.875" OD Accessory Bolt Circle Marathon Black Max AC Motors, Frames 56 - 284 TENV Only Marathon Blue Max AC Motors, Frames 143 - 256 TENV Only
AHE7.5 - T44	44,5 mm Wide Tether for 7.25" OD Accessory Bolt Circle GE Type KAF AC Motors, Frames 182 - 365

